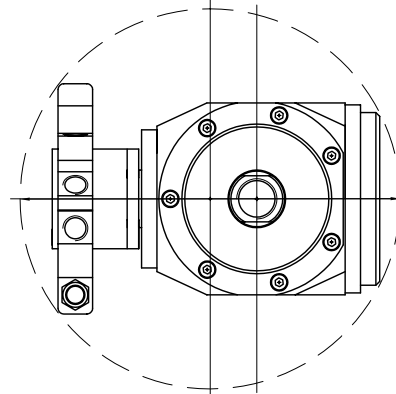



FORO DI PASSAGGIO MINIMO IN ASSE $\phi 238$
 MIN. CENTER LINE THROUGH HOLE $\phi 238$



FORO DI PASSAGGIO MINIMO MANUALE $\phi 198$
 MIN. MANUAL THROUGH HOLE $\phi 198$

TECHNICAL DATA	
OPERATING FLOW RANGE	8 - 200 L/min
OPERATING PRESSURE RANGE	8 - 200 bar
MAX OPERATING TEMPERATURE	90 °C
WASHING CYCLE TIME	10''-30''
WATER INLET	1/2'' G
NOZZLES POSITIONS	2 - 4
NOZZLES THREAD	1/4''NPT
O.RING	NBR - EPDM
LUBRICANT	SILICON OIL VISCOSITY 20-100-350-5000
MATERIAL	
INOX AISI 316	WEIGHT 10.5KG
ALUMINIUM	WEIGHT 5.5KG

RUGOSITA' (UNI 4600)	MODIFICA	1	2	3	4	5	 CLEANING HEADS MONTECCHIO E. (RE) - ITALY
	FOGLIO	XXXX					
GREZZO	DATA	XX.XX.XX					TOLLERANZE GENERALI classe m UNI-EN 22768/1 0÷6 6÷30 30÷120 120÷400 400÷1000 1000÷2000 ±0.1 ±0.2 ±0.3 ±0.5 ±0.8 ±1.2 NOTE: VERSIONE 09
	SGROSS.						
FINITURA	MATERIALE:						DISEGN.: CR CONTR.: DM DATA: 08.09.09 MOD. SCALA 1:2 A3 0
RETTIFICA	DESCRIZIONE: FV025-HW FV025-T3 APPLICAZIONE FV025-HW FV025-T3 APPLICATION DRAWING						CODICE: FV025