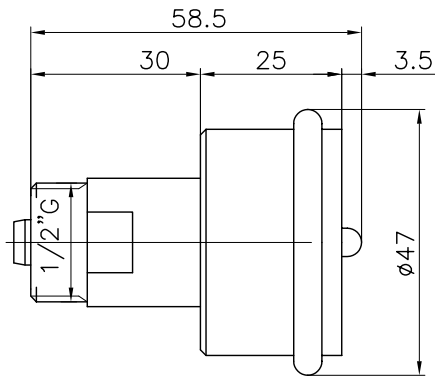
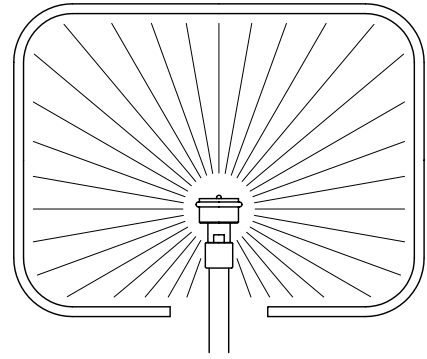


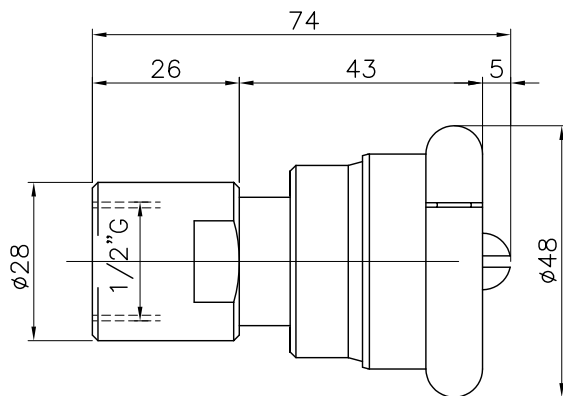
# RT Series

MATERIAL	AISI 316
MAX PRESSURE	10 bar
MAX OPERATING TEMPERATURE	90°C



## RT0008

3x 0.6 mm SLOTS					
PRESSURE (bar)	1	2	3	4	5
FLOW (L/min)	6	10	11	12	18



## RT0225

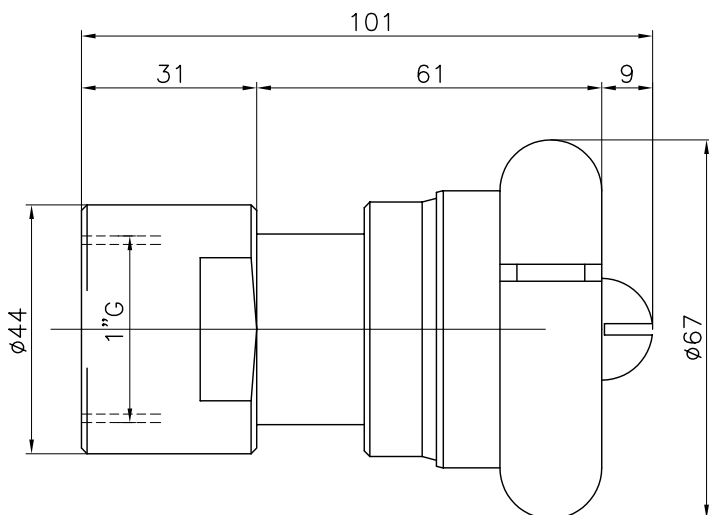
3x 0.8 mm SLOTS					
PRESSURE (bar)	2	4	6	8	10
FLOW (L/min)	15	21	27	32	35

## RT0235

3x 1 mm SLOTS					
PRESSURE (bar)	2	4	6	8	10
FLOW (L/min)	18	25	32	36	41

## RT0255

2x 1.5 mm + 1x 1 mm SLOTS					
PRESSURE (bar)	2	4	6	8	10
FLOW (L/min)	40	53	63	75	83



## RT0355

2x 3 mm + 1x 2 mm SLOTS						
PRESSURE (bar)	1	2	3	4	5	6
FLOW (L/min)	30	60	80	90	105	120



總代理

思沛雅噴霧器材有限公司

22205 新北市深坑區北深路三段270巷8號3樓 TEL. 02-8662-6968 FAX. 02-8662-6967  
Website : [www.sprayernozzle.com.tw](http://www.sprayernozzle.com.tw) E-mail : [sales@sprayernozzle.com.tw](mailto:sales@sprayernozzle.com.tw)