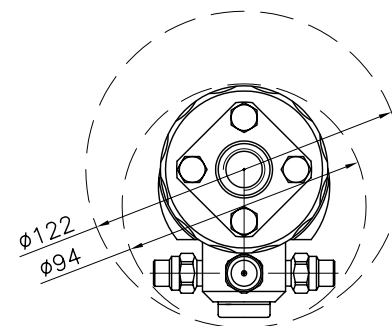
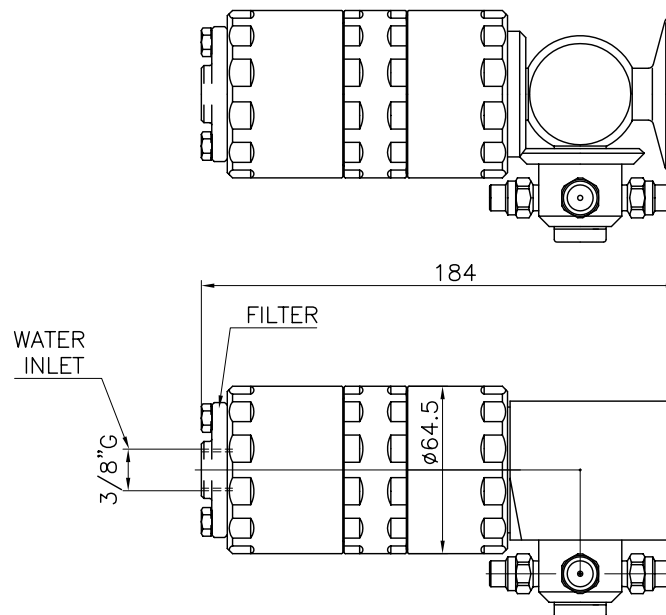


DIFFUSER CODE - HOLES		
FLOW L/MIN	10	DF0210 - 6x1.50
	15	DF0220 - 12x1.50
	20	DF0222 - 12x1.90
	25	DF0225 - 12x2.30
	30	DF0226 - 12x2.70

TECHNICAL DATA

O.RING	NBR - EPDM - VITON
SLIPPER	PTFE+CARBON FIBRE
BUSHING	AISI 316
FILTER	700 MICRON
NOZZLES POSITIONS	2 - 4
NOZZLES THREAD	1/8"NPT
TESTING NOZZLES	0 x 0000
OPERATING FLOW RANGE	10 - 30 L/min
TESTING FLOW	00 L/min
OPERATING PRESSURE RANGE	5 - 150 bar
TESTING PRESSURE	000 bar
CENTER LINE MIN PASS THROUGH HOLE	122 mm
MANUAL MIN PASS THROUGH HOLE	94 mm
MAX OPERATING TEMPERATURE	90 °C
MATERIAL	INOX AISI 316
CONICAL GEARS	FIXED Z=47 ROTATING Z=48
MODULE	1
ROTATION SPEED RANGE	15 TO 25 RPM
FULL CYCLE	48 ROTATIONS
FULL CYCLE TIME	2.4 min AT 20 RPM
WEIGHT	2.7 KG

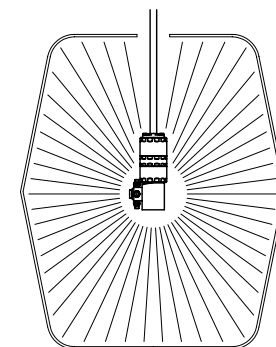



WITHOUT PROTECTION  
SELF CLEANING

SENZA PROTEZIONE  
AUTOPULENTE

WITH PROTECTION  
STANDARD

CON PROTEZIONE  
STANDARD



RUGOSITA' (UNI 4600)	MODIFICA	1	2	3	4	5	 CLEANING HEADS MONTECCHIO E. (RE) - ITALY
GREZZO	FOGLIO DATA	XXXX					
SGROSS.	TOLLERANZE GENERALI classe m UNI-EN 22768/1	0±6	6±30	30±120	120±400	400±1000	1000±2000
FINITURA	NOTE:	±0.1	±0.2	±0.3	±0.5	±0.8	±1.2
RETTIFICA	DESCRIZIONE: RW 030 A APPLICATION DRAWING						DISEGN.: CR   CONTR.: DM DATA: 06.10.08   MOD. CODICE: RW 030 A