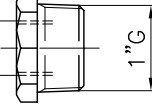


FLOW L/MIN	DIFFUSER POSITION			
	1	2	3	4
15	13	6		
30		15	7	
45			12	7
60			16	10
		SPINNING SPEED RPM		

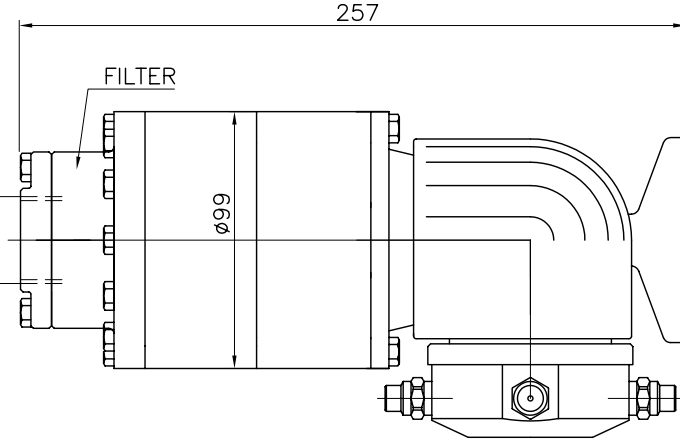
BE0301 ADAPTOR

1/2"G



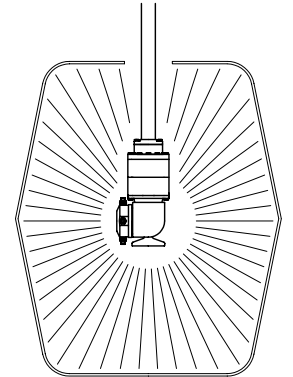
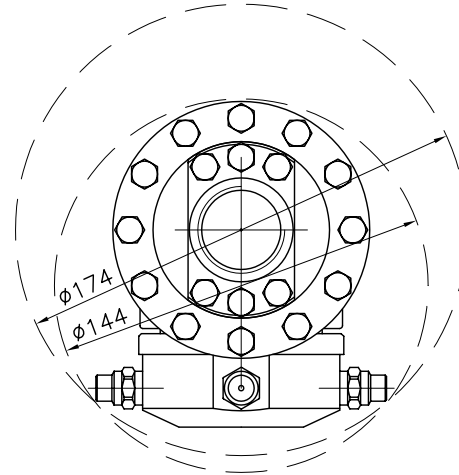
WATER INLET


1"G



TECHNICAL DATA

O.RING	NBR - EPDM - VITON
SLIPPER	PTFE+CARBON FIBRE
BUSHING	AISI 316
FILTER	700 MICRON
NOZZLES POSITIONS	2 - 4
NOZZLES THREAD	1/4"NPT
TESTING NOZZLES	0 x 0000
OPERATING FLOW RANGE	15 - 60 L/min
TESTING FLOW	00 L/min
OPERATING PRESSURE RANGE	5 - 200 bar
TESTING PRESSURE	000 bar
CENTER LINE MIN PASS THROUGH HOLE	174 mm
MANUAL MIN PASS THROUGH HOLE	144 mm
MAX OPERATING TEMPERATURE	90 °C
MATERIAL	INOX AISI 316
CONICAL GEARS	FIXED Z=59 ROTATING Z=61
MODULE	1
DIFFUSER SPEED SETTING POSITIONS	4
ROTATION SPEED	SEE CHART
FULL CYCLE	61 ROTATIONS
FULL CYCLE TIME	3.8 min AT 16 RPM
WEIGHT	9.6 KG



RUGOSITA' (UNI 4600)	MODIFICA	1	2	3	4	5	 CLEANING HEADS MONTECCHIO E. (RE) - ITALY
FOGLIO DATA	XXXX XX.XX.XX						
GREZZO	TOLLERANZE GENERALI classe m UNI-EN 22768/1						DISEGN.: CR CONTR.: DM DATA: 06.10.08 MOD. CODICE: RW 086 A
SGROSS.	±0.1	±0.2	±0.3	±0.5	±0.8	±1.2	
FINITURA	DESCRIZIONE: RW 086 A APPLICATION DRAWING						
RETTIFICA							
SCALA	1:3 A3 0						