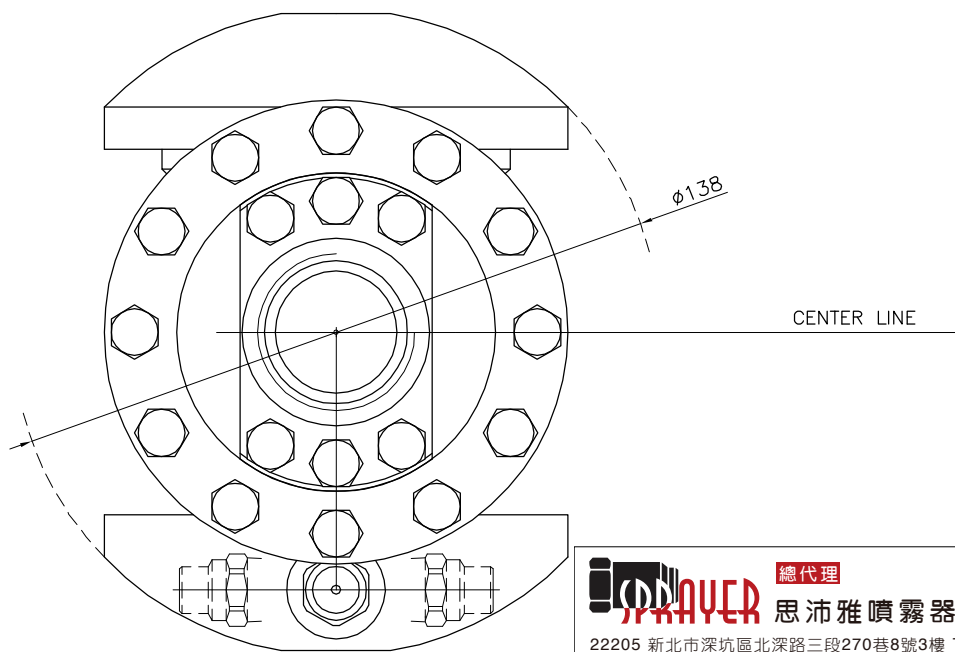


		APERTURA DIFFUSORE DIFFUSER OPENING			
		3	3/6	3/6/9	3/6/9/12
PORTATA FLOW L/MIN	60	12	8		
	80	16	12	9	
	100		15	11	
	120		18	13	11
	140			16	13
	160			18	14
	180				16
	200				16
		VELOCITA' ROTAZIONE GIRI/MIN SPINNING SPEED RPM			

PRESSIONE PRESSURE RANGE	5#200 BAR
PORTATA FLOW	60#200 L/MIN
TEMPERATURA MAX MAX TEMPERATURE	90°C
MATERIALE MATERIALS	AISI 316 INOX STAINLESS STEEL
PESO WEIGHT	9.6 KG

CICLO COMPLETO IN 73 GIRI
COMPLETES PATTERN IN 73 ROTATIONS

NUMERO UGELLI NOZZLES POSITIONS	4
FILETTO UGELLI NOZZLES THREAD	1/4"NPT



SPRAYER 總代理
思沛雅噴霧器材有限公司
 22205 新北市深坑區北深路三段270巷8號3樓 TEL. 02-8662-6968 FAX. 02-8662-6967
 Website : www.sprayernozzle.com.tw E-mail : sales@sprayernozzle.com.tw

RUGOSITA' (UNI 4600)	MODIFICA	1	2	3	4	5	 CLEANING HEADS MONTECCHIO E. (RE) - ITALY
FOGLIO	XXXX						
DATA	XX.XX.XX						
GREZZO	TOLLERANZE GENERALI classe m UNI-EN 22768/1						DISEGN.: CR CONTR.: DM DATA: 12.10.07 MOD.
	0±6	6±30	30±120	120±400	400±1000	1000±2000	
SGROSS.	±0.1	±0.2	±0.3	±0.5	±0.8	±1.2	SCALA
	3.2/						1:1 A3 0
FINITURA	MATERIALE:						CODICE:
	1.6/						
RETTIFICA	DESCRIZIONE: INSTALLATION DRAWING RW 200AU						
	0.8/						DN 150 ON CENTER LINE VERSION