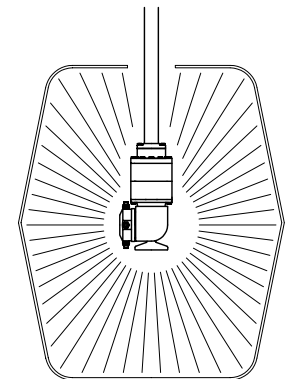
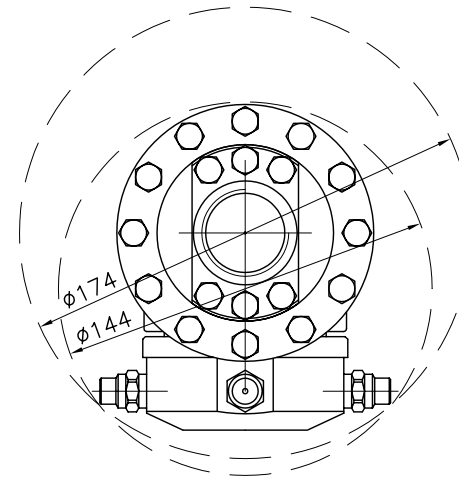
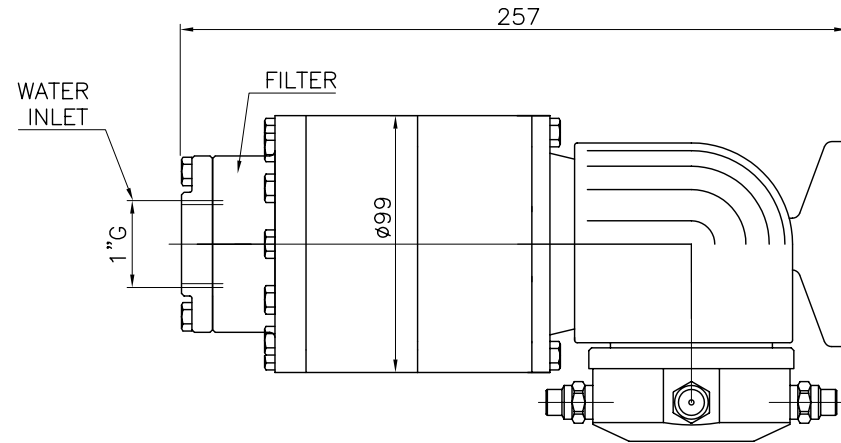


		DIFFUSER OPENING			
		3	3/6	3/6/9	3/6/9/12
FLOW L/MIN	60	12	8		
	80	16	12	9	
	100		15	11	
	120		18	13	11
	140			16	13
	160			18	14
	180				16
	200				16
		SPINNING SPEED RPM			




TECHNICAL DATA	
O.RING	NBR - EPDM - VITON
SLIPPER	PTFE+CARBON FIBRE
BUSHING	AISI 316
FILTER	700 MICRON
NOZZLES POSITIONS	2 - 4
NOZZLES THREAD	1/4"NPT
TESTING NOZZLES	0 x 0000
OPERATING FLOW RANGE	60 - 200 L/min
TESTING FLOW	000 L/min
OPERATING PRESSURE RANGE	5 - 200 bar
TESTING PRESSURE	000 bar
CENTER LINE MIN PASS THROUGH HOLE	174 mm
MANUAL MIN PASS THROUGH HOLE	144 mm
MAX OPERATING TEMPERATURE	90 °C
MATERIAL	INOX AISI 316
CONICAL GEARS	FIXED Z=59 ROTATING Z=61
MODULE	1
DIFFUSER SPEED SETTING OPENINGS	4
ROTATION SPEED	SEE CHART
FULL CYCLE	61 ROTATIONS
FULL CYCLE TIME	3.8 min AT 16 RPM
WEIGHT	9.6 KG



總代理

思沛雅噴霧器材有限公司

22205 新北市深坑區北深路三段270巷8號3樓 TEL. 02-8662-6968 FAX. 02-8662-6967
Website : www.sprayernozzle.com.tw E-mail : sales@sprayernozzle.com.tw

RUGOSITA' (UNI 4600)	MODIFICA	1	2	3	4	5	 CLEANING HEADS MONTECCHIO E. (RE) - ITALY
GREZZO	FOGLIO DATA	XXXX					
SGROSS.	DATA	XX.XX.XX					
FINITURA	TOLLERANZE GENERALI classe m UNI-EN 22768/1						DISEGN.: CR CONTR.: DM DATA: 06.10.08 MOD.
RETTIFICA	±0.1 ±0.2 ±0.3 ±0.5 ±0.8 ±1.2 NOTE:						
	DESCRIZIONE: RW 200 A APPLICATION DRAWING						CODICE: 1:3 A3 0 RW 200 A