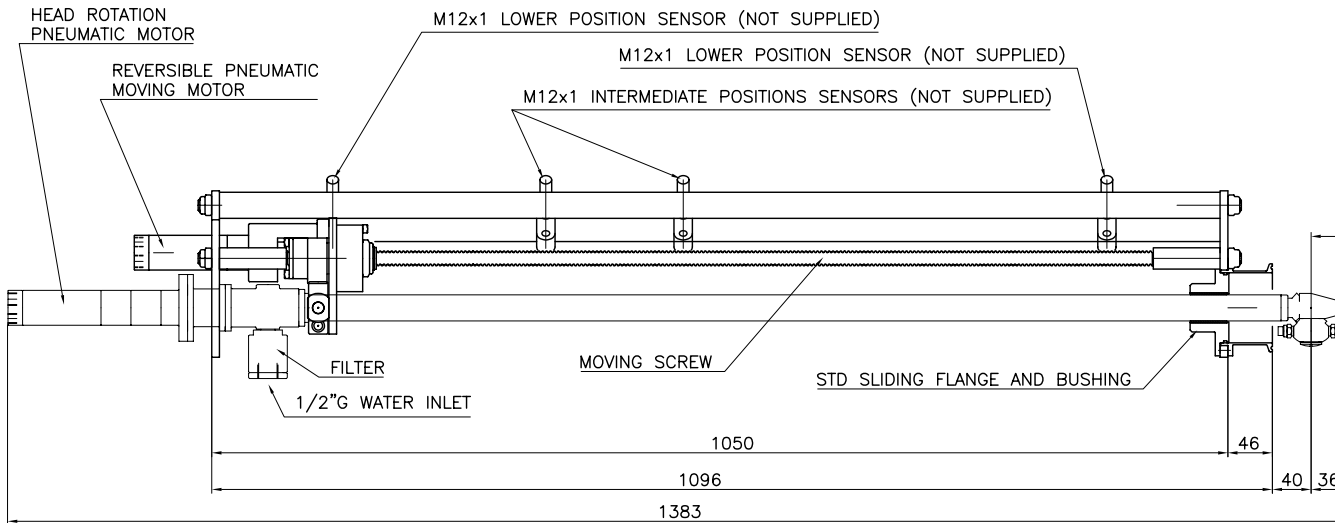
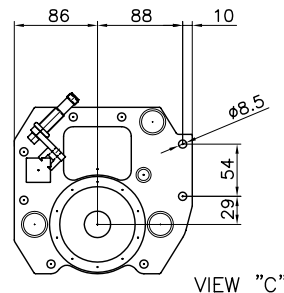
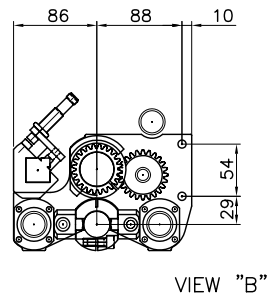
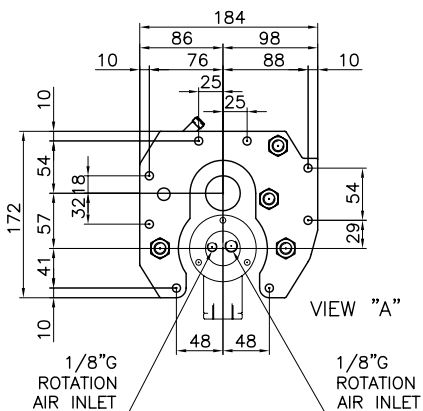


1018 HEAD STANDARD LENGHT



MAXIMUM HEAD LENGHT 2918 mm
WITH MAXIMUM STROKE 2700 mm

DISPLACEMENT STROKE 800



總代理

思沛雅噴霧器材有限公司

22205 新北市深坑區北深路三段270巷8號3樓 TEL. 02-8662-6968 FAX. 02-8662-6967
Website : www.sprayernozzle.com.tw E-mail : sales@sprayernozzle.com.tw

RUGOSITA' (UNI 4600)	MODIFICA	1	2	3	4	5		
FOGLIO DATA	TOLLERANZE GENERALI classe m UNI-EN 22768/1							
GREZZO	~ = ✓	0+6	6+30	30+120	120+400	400+1000	1000+2000	CLEANING HEADS
SGROSS.	∇ = 3.2/∇	±0.1	±0.2	±0.3	±0.5	±0.8	±1.2	MONTECCHIO E. (RE) - ITALY
FINITURA	∇∇ = 1.6/∇	DESCRIZIONE: TA0800 MOVING DEVICE						DISEGN.: CR
RETTIFICA	∇∇∇ = 0.8/∇	APPLICATION DRAWING						CONTR.: DM
		WITH XC 061 P CLEANING HEAD						DATA: 03.06.09
		1000 mm STANDARD LENGHT						MOD.
								SCALA
								1:5
								A3
								0
								CODICE:
								TA0800