

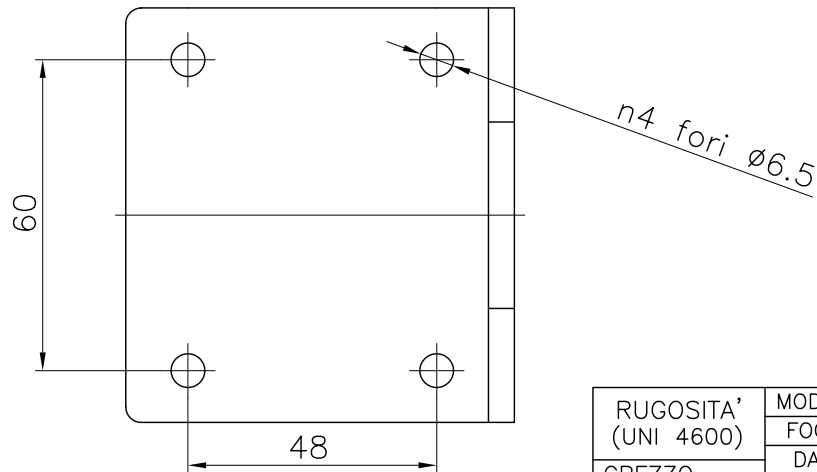
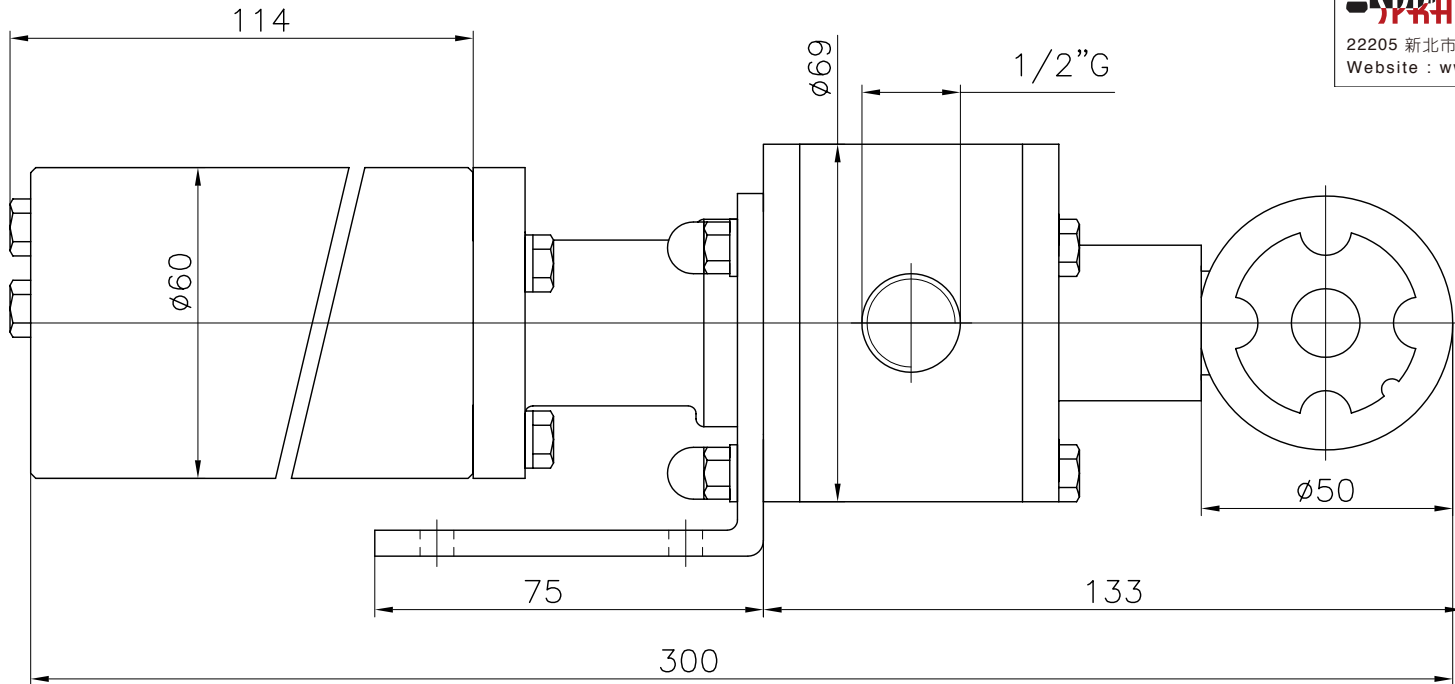


總代理

思沛雅噴霧器材有限公司

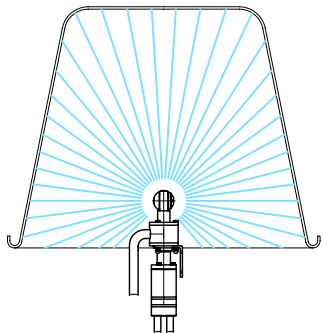
22205 新北市深坑區北深路三段270巷8號3樓 TEL. 02-8662-6968 FAX. 02-8662-6967

Website : www.sprayernozzle.com.tw E-mail : sales@sprayernozzle.com.tw



flangiatura: coassiale o laterale  
 materiale: inox 316  
 motore: idraulico  
 portata max: 60 l/min  
 pressione max: 200 bar  
 temperatura max: 90°C  
 tenute: nbr  
 portaugelli: 2-4 vie

flanging: lateral or coaxial  
 materials: stainless steel 316  
 motor: hydraulic  
 flow max: 60 l/min  
 pressure max: 200 bar  
 temperature max: 90°C  
 seals: nbr  
 nozzle holder: 2-4 holes



|                      |   |          |        |         |          |           |
|----------------------|---|----------|--------|---------|----------|-----------|
| RUGOSITA' (UNI 4600) | MODIFICA                                    | 1        | 2      | 3       | 4        | 5         |
|                      | FOGLIO                                      | XXXX     |        |         |          |           |
|                      | DATA  | XX.XX.XX |        |         |          |           |
| GREZZO               | TOLLERANZE GENERALI classe m UNI-EN 22768/1 |          |        |         |          |           |
| ~ = ✓                | 0÷6   | 6÷30     | 30÷120 | 120÷400 | 400÷1000 | 1000÷2000 |
| SGROSS.              | ±0.1  | ±0.2     | ±0.3   | ±0.5    | ±0.8     | ±1.2      |
| ▽ = 3.2/▽            | NOTE: VERSIONE 04                           |          |        |         |          |           |
| FINITURA             | MATERIALE:                                  |          |        |         |          |           |
| ▽▽ = 1.6/▽           | DESCRIZIONE: APPLICATION DRAWING            |          |        |         |          |           |
| RETTIFICA            |   |          |        |         |          |           |
| ▽▽▽ = 0.8/▽          |   |          |        |         |          |           |



CLEANING HEADS

MONTECCHIO E. (RE) - ITALY

DISEGN.: SN CONTR.: DM

DATA: 01.01.05 MOD.

SCALA

1:1 A3 0

CODICE:

XB 060HY