

KS/ZB SERIES

FLAT FAN NOZZLE
WITH SWIVEL BALL

KS/ZB SERIES



Flat jet nozzles KS variant ZB are deflection nozzles featuring an integrated ball for quick and easy mounting and dismounting on our hose clamps and simple cleaning.

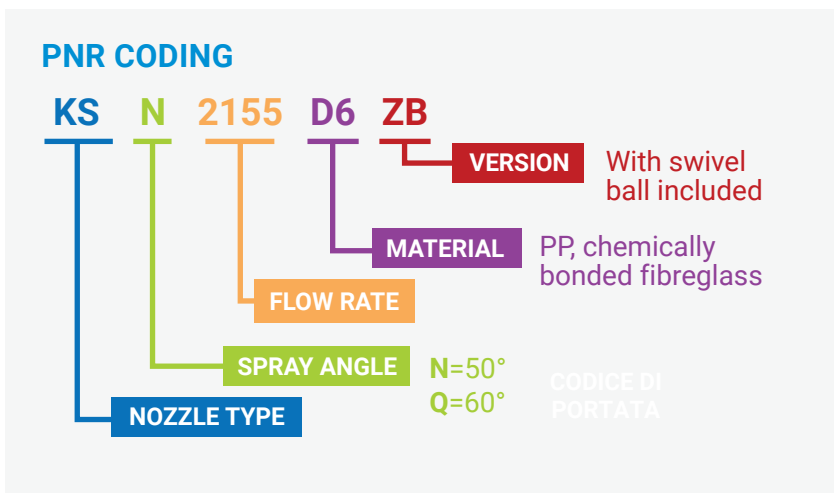
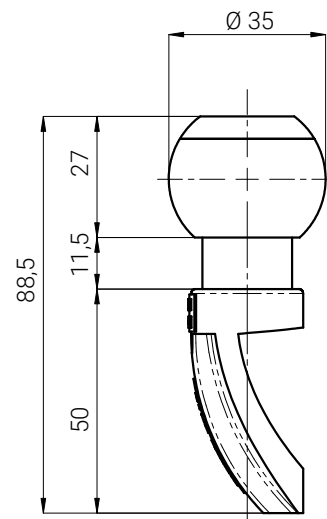
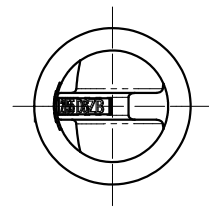
The KS/ZB nozzles produce a flat spray with an angle of 50° or 60° and provide the highest possible impact force for a given supply pressure, up to 60% greater than that of turbulence flat jet nozzles.

The innovative design ensures optimal efficiency for deep cleaning, and the ball joint connection allows for easy assembly and disassembly, preventing any potential leaks. KS/ZB nozzles are available in six colours, each corresponding to different flow rates.

They are constructed from fibreglass-reinforced polypropylene to maintain stability at high temperatures and offer increased resistance to chemical attacks.

These nozzles are widely used in surface pretreatment plants.

The connection method is the main difference between these nozzles and the KS variant QQ. While the KS/QQ require ZBA nozzle holder balls to connect to the system, the KS/ZB are a single, ready-to-use piece with an integrated connection.



| | CODE | FLOW RATE (lpm) AT DIFFERENT PRESSURES (bar) | | | | | | COLOUR |
|-----|----------------------|--|------|------|------|------|------|------------|
| | | 0,5 | 1,0 | 1,5 | 2,0 | 2,5 | 3,0 | |
| 50° | KSN 2155 D6ZB | 6,2 | 8,8 | 10,8 | 12,5 | 14,1 | 15,5 | RED |
| | KSN 2195 D6ZB | 7,8 | 11,0 | 13,5 | 15,6 | 17,8 | 19,5 | GREEN |
| 60° | KSQ 2230 D6ZB | 9,5 | 13,5 | 16,5 | 19,1 | 21,0 | 23,0 | BLUE |
| | KSQ 2270 D6ZB | 10,9 | 15,4 | 18,8 | 21,7 | 24,6 | 27,0 | LIGHT BLUE |
| | KSQ 2337 D6ZB | 13,9 | 19,6 | 24,0 | 27,7 | 30,8 | 33,7 | WHITE |
| | KSQ 2410 D6ZB | 16,7 | 23,6 | 29,0 | 33,5 | 37,4 | 41,0 | PINK |

總代理



思沛雅噴霧器材有限公司

22205 新北市深坑區北深路三段270巷8號3樓(信義財貿工業園區) TEL. 02-8662-6968
 Website : www.sprayer.com.tw E-mail : sales@sprayer.com.tw FAX. 02-8662-6967