

UBA

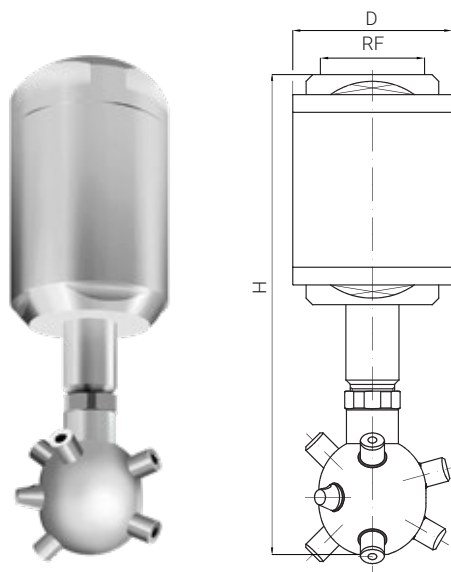
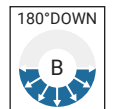
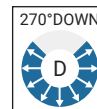
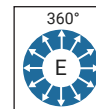
UBA series heads operate producing water jets out of a spray head rotating around a vertical axis, but feature a sophisticated design where the head is put in slow motion by a simple friction transmission. As the motor produces a low rotation velocity, the jets can work with their maximum efficiency since not being broken into droplets: this makes it possible to obtain a higher impact force onto the tank wall. The head design can include one jet directed upwards which is meant to clean the tank roof area around the feed pipe, a difficult area in many instances, realizing then a true 360° spray pattern.

Superior cleaning power, faster cleaning cycles and lower volumes of cleaning solution required. UBA washing heads are available in two sizes, and three different jet patterns, as shown below. Rotation speed varies, depending upon feed pressures, between 5 and 12 rpm. Thread connection are available both in BSP standard (last letter of the code: G) and NPT standard (last letter of the code: N).

MATERIAL:	BODY, SPHERE	B31	AISI 316L STAINLESS STEEL
		L61	ALLOY C22
		E1	PTFE (ONLY MODEL 3150)
	BUSHINGS	E1	PTFE
	MOTOR RING	E1	PTFE

Washing liquid for ATEX products
T ≤ 90°C

Ex only for: AISI 316L Alloy C22



UBA 3150



UBA 2500

CODE	RF BSP	Capacity at different pressures				l/min bar	Spray coverage deg			Dimensions mm	
		3,0	5,0	7,0	10		180d	270d	360	H	D
UBA 2500 B31BG	3/4"	50,0	64,5	76,3	91,3	.	.	.	166	50	
UBA 2500 B31DG		50,0	64,5	76,3	91,3	.	.	.			
UBA 2500 B31EG		50,0	64,5	76,3	91,3	.	.	.			
UBA 3150 B31EG	1-1/2"	110	142	168	200	.	.	.	216	71	

The UBA washing head is designed to accommodate in its sphere a wide variety of nozzles, both in number and type of spray (i.e., dart jet, blade, etc.). Each of these customizations involves, compared to the versions in the table, a variation also consistent with the performance, which will be provided from case to case.

In case of NPT thread the last letter of the code will be N instead of G. The version in L61 differs from that in B31 only for the material of realization while the performances, the dimensions and the modalities of connection remain the same.

總代理



思沛雅噴霧器材有限公司

22205 新北市深坑區北深路三段270巷8號3樓 Website : www.sprayer.com.tw
TEL. 02-8662-6968 FAX. 02-8662-6967 E-mail : sales@sprayer.com.tw