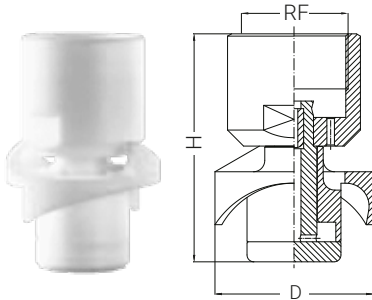


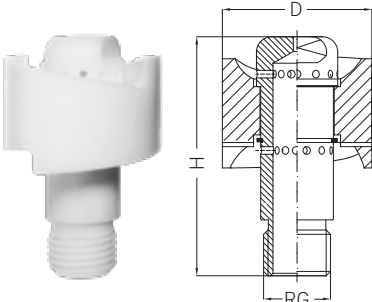
UBD A

UBD A rotary heads are a simple but very efficient device for the inside cleaning of tanks. The rotary disk is rotated through the action of the cleaning fluid and produces a very dense spray which reaches all parts of the inside surface, it is the only mobile part of the unit and requires no servicing at all. No lubrication is required, and therefore no risk exists of contaminating your product with oil or grease. Ideally suited for aggressive environments, it operates efficiently with all detergents and chemical solutions, in both closed and open tanks because available with 360 or 180 degrees spray patterns. UBD A models find their application in pharmaceutical, chemical and food industries.

MATERIAL: E1 PTFE PURE (FDA APPROVED)
 E11 PTFE + 15% GRAPHITE
 D9 PEEK (FDA APPROVED)



UBD A140



UBD A035

Thread connection

CODE	Flow rate at different pressure					l/min bar
	2,0	3,0	4,0	5,0	6,0	

UBD A035 xxEG*	28,6	35,0	40,5	45,2	49,5
UBD A051 xxEG	41,2	50,0	57,4	63,9	69,7
UBD A090 xxEG	73,5	90,0	104	116	127
UBD A090 xxAG	73,5	90,0	104	116	127
UBD A090 xxBG	73,5	90,0	104	116	127
UBD A140 xxEG	114	140	162	180	198
UBD A140 xxAG	114	140	162	180	198
UBD A140 xxBG	114	140	162	180	198
UBD A210 xxEG	171	210	243	271	296
UBD A210 xxAG	171	210	243	271	296
UBD A210 xxBG	171	210	243	271	296

LT: 95° C

Copertura deg	RM BSP		RF BSP		Dimensions mm	
	360	180u	180d	1" 1-1/2"	H	D
•	•	•	•	•	47	30
•	•	•	•	•	55	40
•	•	•	•	•	49	40
•	•	•	•	•	75	50
•	•	•	•	•	100	70

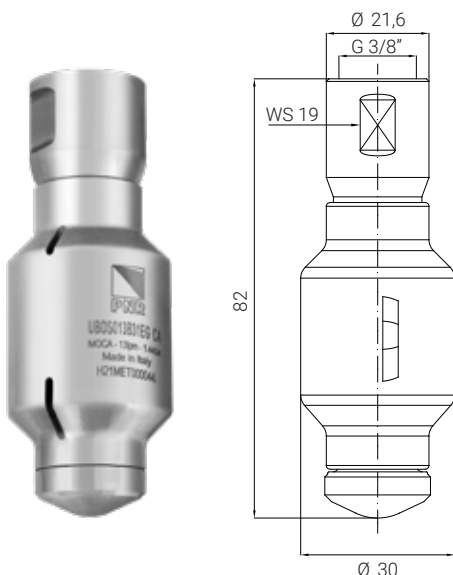
*UBD A035xxEG has 1/4" male thread.

UBD S

Reaction drive mono-axial head UBD S035 B31EG is totally realized in AISI 316L stainless steel. Moreover, no lubrication is needed, therefore there is no risk of contamination with oils: this product is suitable in applications in food, pharmaceutical and chemical industries. It has a low capacity and low angular velocity, so it is perfect for washing small and medium size tanks that require longer washing cycles. The easy and strong design, and high quality structure assure a long service and a high efficiency.

MATERIAL: B31 AISI 316L STAINLESS STEEL
 CONNECTION: 3/8" BSP FEMALE, CLIP-ON, NPT

Washing liquid for ATEX products
 T ≤ 90°C P ≤ 10 bar



CODE	Capacity at different pressures						l/min bar
	2,0	3,0	5,0	7,0	10	12	

UBD S013 B31E...CA	11	13	17	20	24	26
UBD S018 B31E...CA	15	18	23,3	27,5	33	36
UBD S040 B31E...CA	33	40	51,6	61	73	80
UBD S054 B31E...CA	44	54	70	82	99	108

CA at the end of the code is used to differentiate a MOCA certified product from a non-certified one. In case of NPT thread the letter G of the code will become N, while in case of Clip connection it will become C (SMS 3008 standard) or D (ASTM A269/A213). We recommend using at least 100 mesh filter. The flow rate refers to the threaded model.