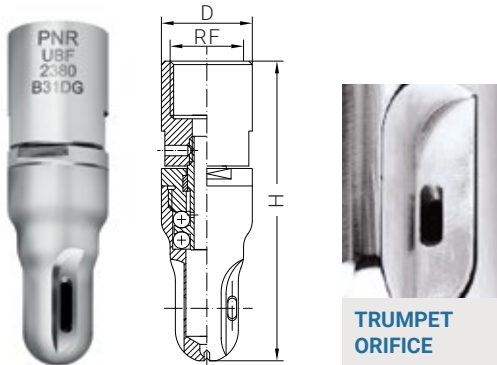


UBF SMALL DIMENSION WASHING HEADS

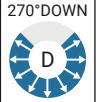
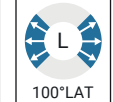
UBF range heads have been designed as small dimensions devices to be operated through small dimension openings and perform such processes as the inside cleaning of any other container where standard washing heads cannot be used. Typically used for cleaning beer kegs, containers for soft drinks or small bore pipes. Also available with NPT connection.

MATERIAL: B31 AISI 316L STAINLESS STEEL + BEARINGS PTFE
L61 ALLOY C22



EXCLUSIVE TRUMPET ORIFICE
The new trumpet design of the side orifices allows to obtain a more efficient fan shaped jet, with a well defined spray angle, improving considerably the washing action.

Washing liquid for ATEX products
T ≤ 90°C
P ≤ 10 bar



BSP or NPT threaded connection

CODE	RF BSP	Capacity at different pressures					Spray coverage deg		Dimensions mm	
		2,0	3,0	5,0	10	12	100L	270d	H	D
UBF 2270 B31 LG	1/2"	20,0	27,0	36,4	51,5	56,4	•		85	26
UBF 2270 B31DG		22,0	27,0	36,4	51,5	56,4		•		
UBF 2380 B31DG		31,0	38,0	49,2	69,3	76,0		•		

In case of NPT thread the last letter of the code will be N instead of G. The version in L61 differs from that in B31 only for the material of realization while the performances, the dimensions and the modalities of connection remain the same.

UBF A

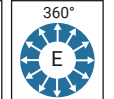
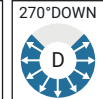
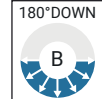
Designed for cleaning processes in small bore piping or small size containers and available in a range of different plastic materials and special alloys, as well as with several spray angles. Also available with NPT connection.

MATERIAL: D82 PVDF (MOLDED)
B31 AISI 316L STAINLESS STEEL + BEARINGS PTFE
E1 PTFE (FDA APPROVED)
L61 ALLOY C22 + BEARINGS PTFE

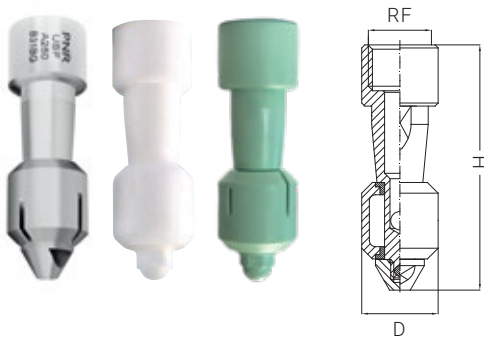
Washing liquid for ATEX products
T ≤ 90°C



only for: AISI 316L Alloy C22



BSP or NPT threaded connection



CODE	RF BSP	Capacity at diff. pressures			Spray coverage deg			Dimensions mm	
		2,0	3,0	4,0	180d	270d	360	H	D
UBF A250 xxBG	1/2"	20,0	25,0	28,8	•			80	25
UBF A250 xxDG		20,0	25,0	28,8		•			
UBF A250 xxEG		20,0	25,0	28,8			•		

In case of NPT thread the last letter of the code will be N instead of G. The version in L61 differs from that in B31 only for the material of realization while the performances, the dimensions and the modalities of connection remain the same.

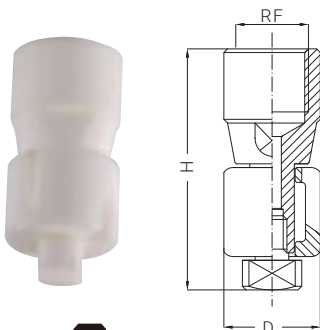
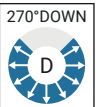
UBF S

Designed for cleaning processes in very small bore piping or containers, down to 13 mm diameter. The device is available in different materials as well as spray angles, and with NPT connection

MATERIAL: B31 AISI 316L STAINLESS STEEL
L61 ALLOY C22
E1 PTFE (FDA APPROVED)



only for: AISI 316L Alloy C22



CODE	RF BSP	Capacity at diff. pressures			Spray coverage deg	Dimensions mm	
		2,0	3,0	4,0	270d	H	D
UBF S055 xxDG	1/8"	4,50	5,50	6,40	•	32	13

總代理



思沛雅噴霧器材有限公司

22205 新北市深坑區北深路三段270巷8號3樓 Website : www.sprayer.com.tw
TEL. 02-8662-6968 FAX. 02-8662-6967 E-mail : sales@sprayer.com.tw