

## UBQ

The UBQ washing head is a high-pressure cleaning device for small and medium-sized car parts, bins, and cans. Technologically advanced and sophisticated but at the same time robust, the UBQ washing head is reliable in various applications that require high-pressure washing of persistent residues.

An hydraulic engine keeps the rotating part of the spray ball in motion. Thanks to its design, the device does not require oils or greases for lubrication.

The main innovation of the UBQ head lies in its rotating head. Depending on the application and cleaning needs, the position of the nozzles can vary in different configurations for a total of 6 different angles. 12 enclosures can accommodate a minimum of 2 up to a maximum of 4 F nozzles simultaneously. The flat jet nozzles F are designed explicitly for high-pressure washing. Their internal geometry ensures uniform jet distribution and highly effective cleaning action.

The head is available in the *axial configuration* – with an integrated filter – or *tangential*. Made of AISI 303 stainless steel, the UBQ washing head has a flow rate ranging from 15 to 30 liters per minute to a maximum of 150 bar.

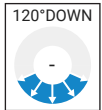
MATERIALS: AISI 303 S.S.

WATER INLET AXIAL VERSION: 1/2" G

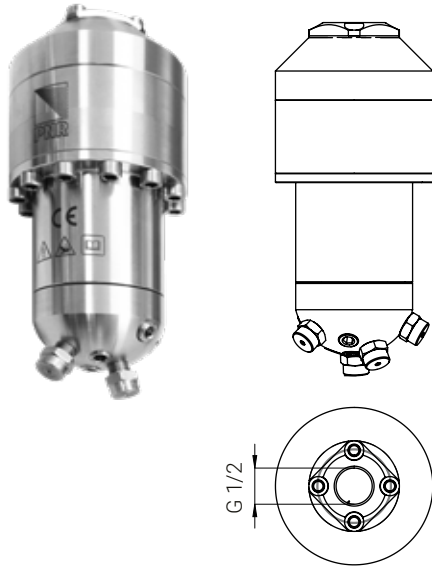
WATER INLET TANGENTIAL VERSION: 3/8" G

CONNECTIONS: 1/8" BSPP

LT: 90° C  
LP: 150 bar



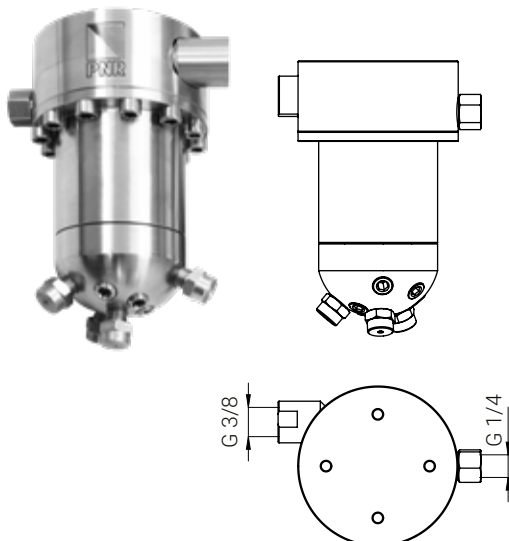
### Axial configuration



AXIAL CONFIGURATION

CODE	Liters per minute [lpm]	Inlet nozzle dimensions [mm]	Water inlet configuration and dimension	Number of nozzles
UBQ A215 B1	15	/	1/2" G	2
UBQ A315 B1	15	/	1/2" G	3
UBQ A415 B1	15	/	1/2" G	4
UBQ A220 B1	20	/	1/2" G	2
UBQ A320 B1	20	/	1/2" G	3
UBQ A420 B1	20	/	1/2" G	4
UBQ A225 B1	25	/	1/2" G	2
UBQ A325 B1	25	/	1/2" G	3
UBQ A425 B1	25	/	1/2" G	4
UBQ A230 B1	30	/	1/2" G	2
UBQ A330 B1	30	/	1/2" G	3
UBQ A430 B1	30	/	1/2" G	4

### Tangential configuration



TANGENZIAL CONFIGURATION

CODE	Liters per minute [lpm]	Inlet nozzle dimensions [mm]	Water inlet configuration and dimension	Number of nozzles
UBQ R215 B1	15	2	3/8" G	2
UBQ R315 B1	15	2	3/8" G	3
UBQ R415 B1	15	2	3/8" G	4
UBQ R220 B1	20	2.5	3/8" G	2
UBQ R320 B1	20	2.5	3/8" G	3
UBQ R420 B1	20	2.5	3/8" G	4
UBQ R225 B1	25	2.5	3/8" G	2
UBQ R325 B1	25	2.5	3/8" G	3
UBQ R425 B1	25	2.5	3/8" G	4
UBQ R230 B1	30	3	3/8" G	2
UBQ R330 B1	30	3	3/8" G	3
UBQ R430 B1	30	3	3/8" G	4

總代理



思沛雅噴霧器材有限公司

22205 新北市深坑區北深路三段270巷8號3樓 Website : [www.sprayer.com.tw](http://www.sprayer.com.tw)

TEL. 02-8662-6968 FAX. 02-8662-6967 E-mail : [sales@sprayer.com.tw](mailto:sales@sprayer.com.tw)