

# UBT

The UBT series tank wash heads are very sophisticated devices, designed with a robust structure and constructed with the latest technology to allow for high performance and providing excellent disinfection after each wash cycle. These characteristics are ideal for the automatic cleaning of industrial tanks and vessels. The nozzle movement is operated through an internal epicyclical gear reducer which enables to drive the jet paths according to a preset grid over the tank surface, providing a perfect cleaning of every single area inside the tank. Each side hub is equipped with two nozzles.

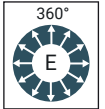
Depending on the application, two different types of nozzle can be used:

- Short nozzle: length 20 mm (Model C)
- Long nozzle: length 50 mm (Model L)

Each side hub is equipped with two nozzles whose orifice diameter determines the total water flow rate.

MATERIAL: METAL PARTS AISI 316L STAINLESS STEEL  
 SEALS CPTFE TEFLON + GRAFITE  
 OTHER MINOR PARTS PEEK

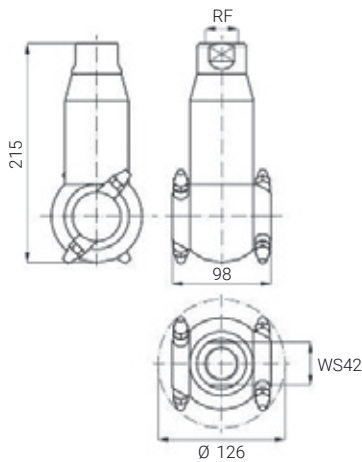
Washing liquid for ATEX products  
 T ≤ 90°C



BSP, BSPT or NPT threaded connection



MODEL C "SHORT"



CODE	Ø mm	RF BSPB	Capacity at different pressures							Weight Kg
			4,0	5,0	6,0	7,0	8,0	9,0	10	
UBT S445 B31CG	6,0	1"	88	92	100	108	115	121	130	3,6
UBT S445 B31LG			88	92	100	108	115	121	130	
UBT S460 B31CG			115	120	130	138	150	158	162	
UBT S460 B31LG			115	120	130	138	150	158	162	

To order the required product, please note that:

a) second to last letter "C" indicates the Model C (short nozzle);

b) second to last letter "L" indicates the Model L (long nozzle).

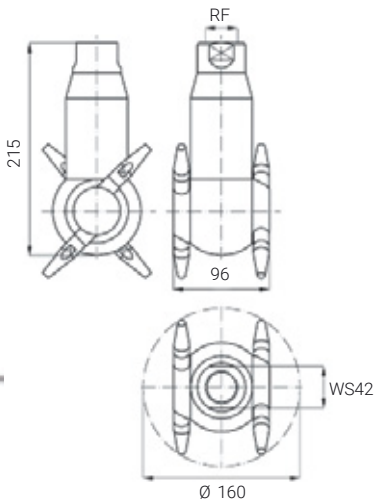
Ø is the nozzle diameter.

In case of NPT thread the letter "G" will be replaced by "N", while in case of BSPT thread the letter will be "B".

If you want the version with sealed reducer, please contact our Sales Office for more information on ATEX features.



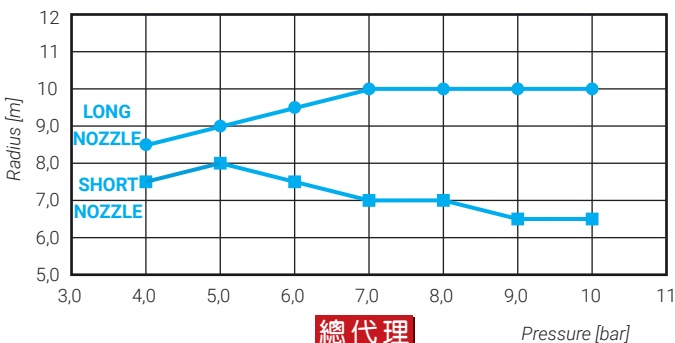
MODEL L "LONG"



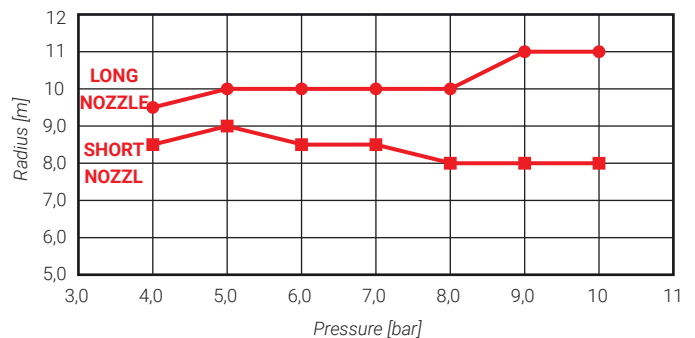
In order to avoid problems with the device (such as breaking), we suggest to you filtered water. PNR Italia suggests a filter with at least 60 mesh, such as VEM 0100 V1 (see next page for further information).



WETTING RADIUS UBT S445



WETTING RADIUS UBT S460



總代理



思沛雅噴霧器材有限公司

22205 新北市深坑區北深路三段270巷8號3樓 Website : www.sprayer.com.tw

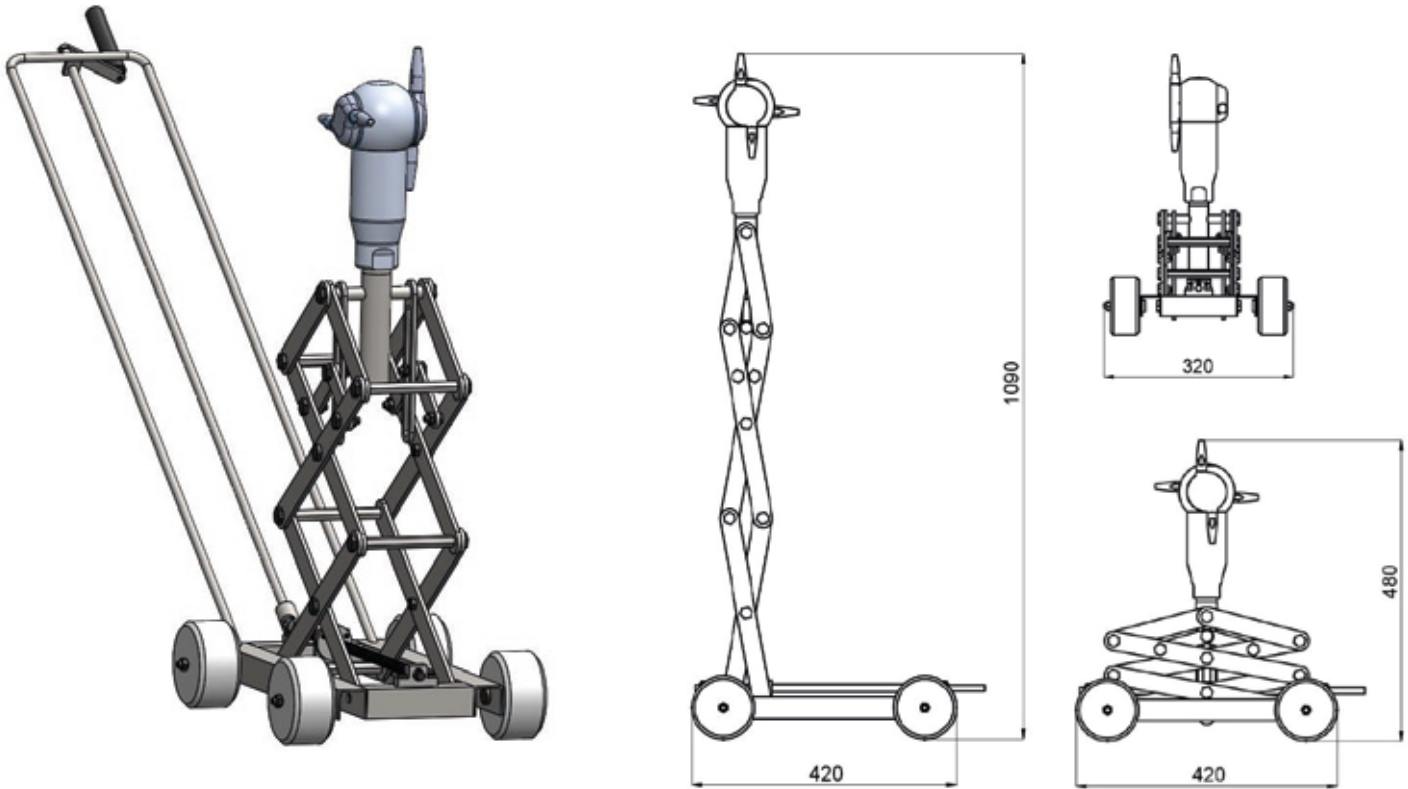
TEL. 02-8662-6968 FAX. 02-8662-6967 E-mail : sales@sprayer.com.tw

# UBT ACCESSORIES

Head-carrying carts are the most convenient solution for fast washing of tanks raised from the ground with an opening in the bottom. The base with wheels and the pantograph raising mechanism allow an easy positioning of the system at the base of the tank and a quick insertion of the washing head inside, with the aid of a manual crank handle.

The carts are designed to be equipped with a UBT series washing head, ideal for a complete medium pressure cleaning in every corner of the tank, thanks to the automatic bi-axial rotation mechanism.

MATERIAL: STRUCTURE AISI 304L STAINLESS STEEL CONNECTION: 1" BSPT (MALE)  
 WHEELS PTFE



The dimensions are explanatory, please contact us for further information.

## ADVANTAGES

- High portability
- Stability and resistance
- Easy to install and to use
- 360° cleaning of the tank

## TYPICAL APPLICATIONS

- Food and beverage industry
- Chemical and petrochemical industry
- Pharmaceutical industry
- Environmental industry



總代理



思沛雅噴霧器材有限公司

22205 新北市深坑區北深路三段270巷8號3樓 Website : [www.sprayer.com.tw](http://www.sprayer.com.tw)  
 TEL. 02-8662-6968 FAX. 02-8662-6967 E-mail : [sales@sprayer.com.tw](mailto:sales@sprayer.com.tw)