

# Bio 10

Scanjet tank cleaning equipment



## KEY FEATURES

Bio 10 is an advanced tank cleaning machine specially developed for:

- + Food & Dairy
- + Pharmaceutical
- + Chemical Processing
- + Transportation
- + Beverage

Where

- + Self-washing required
- + Low fluid consumption
- + Hygienic design

The Bio 10 rotary jet head is a hygienic tank cleaning machine that provides 360deg coverage within a given tank or process vessel. The Bio 10 is self powered by the flow of the fluid through the inlet cone of the machine. An increase in pressure and flow will correspondingly increase the length of the jet and impact upon the tank or vessel surfaces. The Bio 10 employs exclusive self-washing features that allows itself to be completely covered and has been certified in rinse validation protocols such a riboflavin rinse validation and yogurt washing trials.

## Quality Standards

The Bio 10 is produced in accordance to stringent quality standards and meets or exceeds ISO 9001 International Quality Standards as well as conforming to the cGMP as detailed by the United States FDA (Food and Drug Administration and EHEDG (European Hygienic Equipment Design Group).

## Typical Cleaning Methods:

- + Fixed Installed CIP Systems
- + Multi-Tank Solution Recovery
- + Single Use/Single Pass
- + Single Use/Recirculatory

## Typical applications

- + Process vessels and reactors
- + Storage tanks
- + Transportations tanks
- + Fermenters
- + Yeast propagation



 scanjet

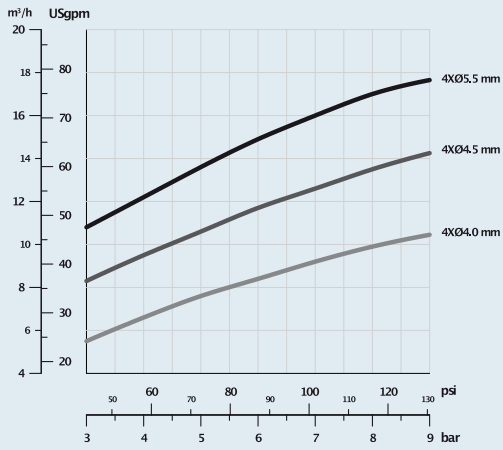


總代理

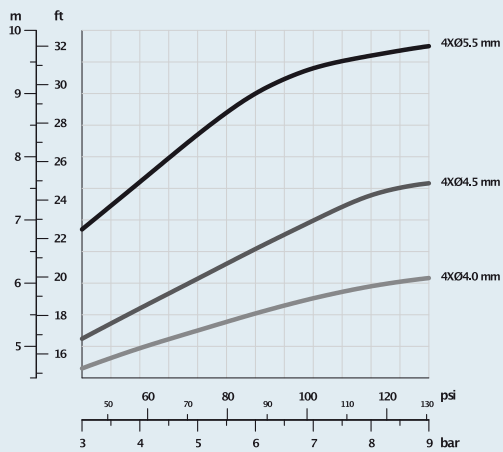
思沛雅噴霧器材有限公司

22205 新北市深坑區北深路三段270巷8號3樓 TEL. 02-8662-6968 FAX. 02-8662-6967  
Website : [www.sprayernozzle.com.tw](http://www.sprayernozzle.com.tw) E-mail : [sales@sprayernozzle.com.tw](mailto:sales@sprayernozzle.com.tw)

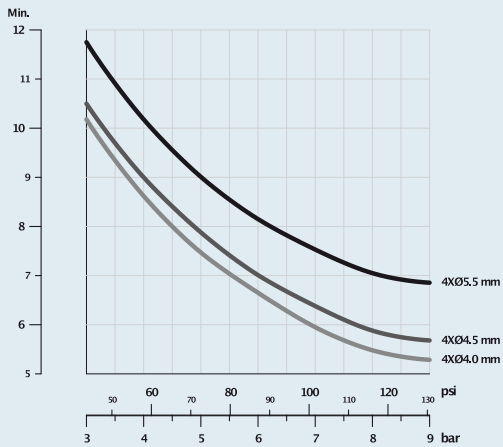
## Technical performance



Pressure/Flow

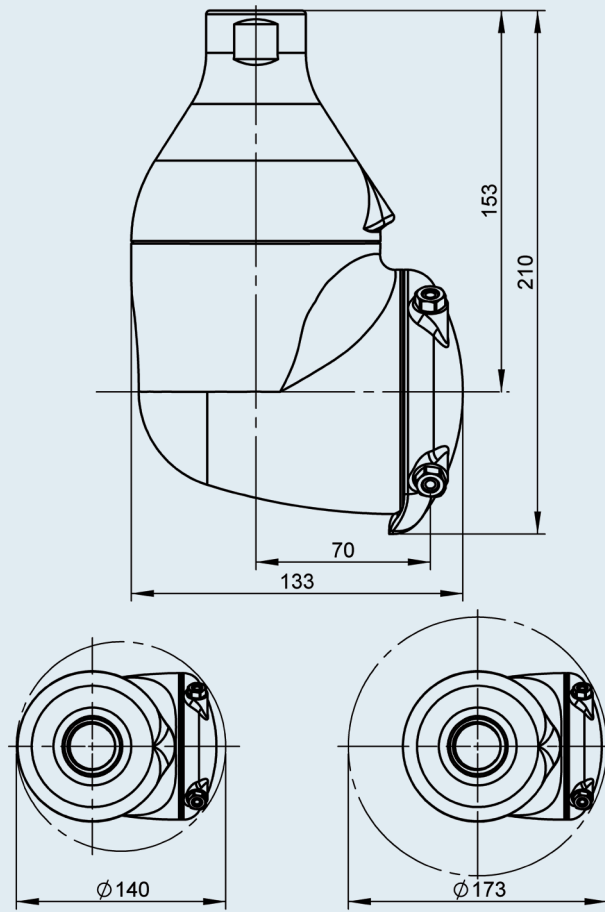


Jet length



Pattern time

## Dimensions



## Specifications

Flow	5-18 m <sup>3</sup> /h
Inlet pressure	3-10 bar
Max pressure	12 bar
Recommended pressure	6 bar
Max temperature	95°C
Max ambient temperature	140°C
Weight	5,1 kg
Connections	1" BSP/NPT
Material	AISI 316L, PTFE/GLASS (alt. PE1000), PEEK-TX, EPDM
Lubrication	Cleaning media



Scanjet Systems AB  
 P.O. Box 9316  
 SE-400 97 Göteborg Sweden  
 Phone + 46 31 3387530  
 Fax + 46 31 3387540  
 E-mail sales@scanjetsystems.com  
 Web www.scanjetsystems.com



總代理

思沛雅噴霧器材有限公司

22205 新北市深坑區北深路三段270巷8號3樓 TEL. 02-8662-6968 FAX. 02-8662-6967

Website : www.sprayernozzle.com.tw E-mail : sales@sprayernozzle.com.tw