

Bio 25

Scanjet tank cleaning equipment



KEY FEATURES

Bio 25 is an advanced tank cleaning machine specially developed for:

- + Food & Dairy
- + Pharmaceutical
- + Chemical Processing
- + Transportation
- + Beverage

Where

- + Self-cleaning required
- + Low fluid consumption
- + Hygienic design

The Bio 25 rotary jet head is a hygienic tank cleaning machine that provides 360° coverage within a given tank or process vessel. The Bio 25 is self driven by the flow of the cleaning fluid through the inlet cone of the machine. An increase in pressure and flow will correspondingly increase the length of the jet and impact upon the tank or vessel surfaces. The Bio 25 employs exclusive self-cleaning features that allows itself to be completely cleaned during the cleaning cycle and has been certified in rinse validation protocols such as riboflavin rinse validation and yogurt washing trials.

Quality Standards

The Bio 25 is produced in accordance with stringent quality standards and meets or exceeds ISO 9001 International Quality Standards as well as conforming to the cGMP as detailed by the United States FDA (Food and Drug Administration and EHEDG (European Hygienic Equipment Design Group).

Typical Cleaning Methods:

- + Fixed Installed CIP Systems
- + Multi-Tank Solution Recovery
- + Single Use / Single Pass
- + Single Use / Recirculatory

Typical applications

- + Process vessels and reactors
- + Storage tanks
- + Transportations tanks
- + Fermenters
- + Yeast propagation



 scanjet

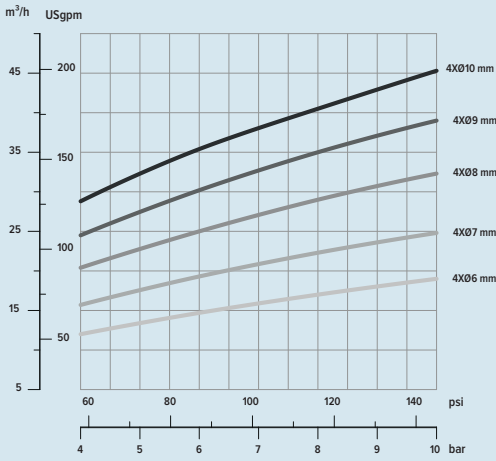


總代理

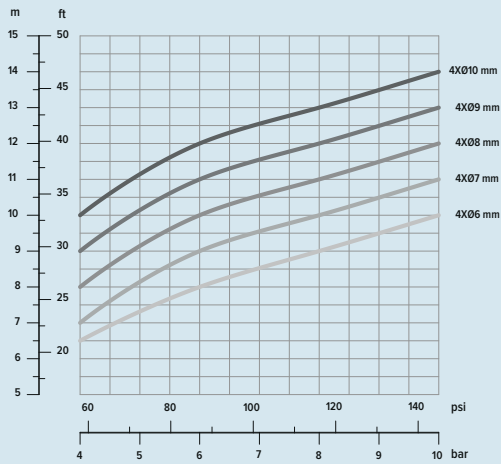
思沛雅噴霧器材有限公司

22205 新北市深坑區北深路三段270巷8號3樓 TEL. 02-8662-6968 FAX. 02-8662-6967
Website : www.sprayernozzle.com.tw E-mail : sales@sprayernozzle.com.tw

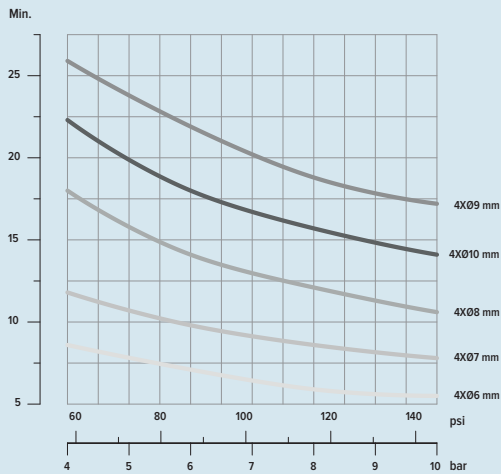
Technical performance



Pressure/Flow

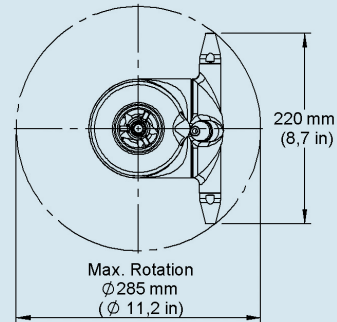
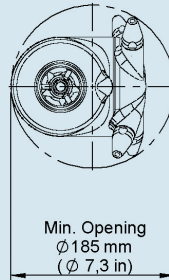
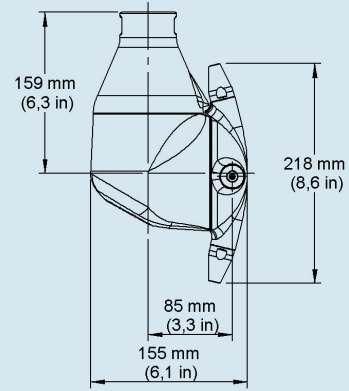
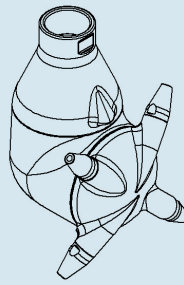


Jet length



Pattern time

Dimensions



Specifications

Flow	6-45 m ³ /h
Inlet pressure	4-10 bar
Max pressure	12 bar
Recommended pressure	6 bar
Max temperature	95°C
Max ambient temperature	140°C
Weight	7 kg
Connections standards	1,5" BSP, NPT
Material	AISI 316, PTFE, PEEK, Tungsten, Al2O3
Lubrication	Cleaning media



Scanjet Systems AB
 P.O. Box 9316
 SE-400 97 Göteborg Sweden
 Phone + 46 31 338 75 30
 Fax + 46 31 338 75 40
 E-mail sales@scanjetsystems.com
 Web www.scanjetsystems.com



總代理

思沛雅噴霧器材有限公司

22205 新北市深坑區北深路三段270巷8號3樓 TEL. 02-8662-6968 FAX. 02-8662-6967
 Website : www.sprayernozzle.com.tw E-mail : sales@sprayernozzle.com.tw