

SC20A LP

Scanjet tank cleaning equipment



KEY FEATURES

- + Electrical external drive
- + Fixed or portable
- + Bayonet coupling
- + High impact
- + Low volume

The SC 20A is a tank cleaning machine specially developed for the cleaning of small industrial tanks where product residues are hard to remove and cleaning volumes need to be kept to a minimum. The device can either be used on a fixed installed or portable basis and is available in two, three or four nozzle configurations. The external drive is an electrical motor being 230V(AC) although other alternatives are available on request.

Tank connection is a bayonet coupling making it easy to remove the machine from the tank without the need for tools. The tank connection is protected by a blind cover during periods of machine removal.

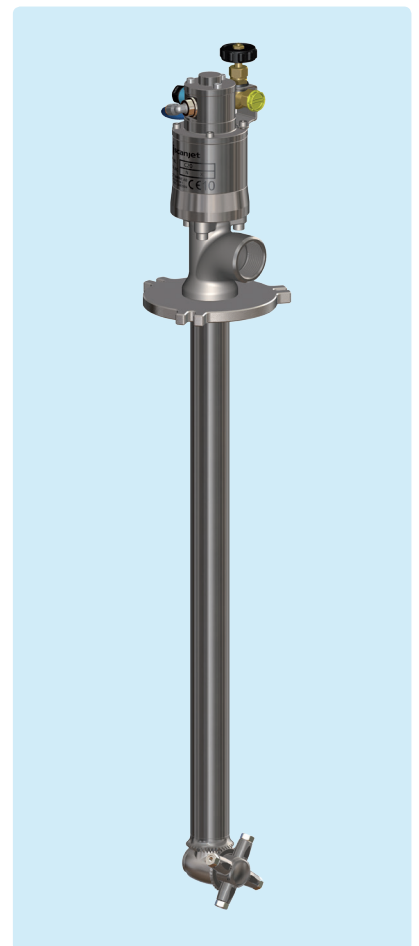
Quality Control, Compliances & Certifications

The SC 20A is produced in accordance with ISO 9001 Quality Standards and our certificate of conformity and accreditation is available on request.

Additionally, the SC 20A conforms to United States ASME standards for construction and others are available upon request.

Typical applications

- + Paints and coatings process vessels
- + Solvent tanks
- + Totes and IBC's
- + Heavy duty process vessels



 **scanjet**

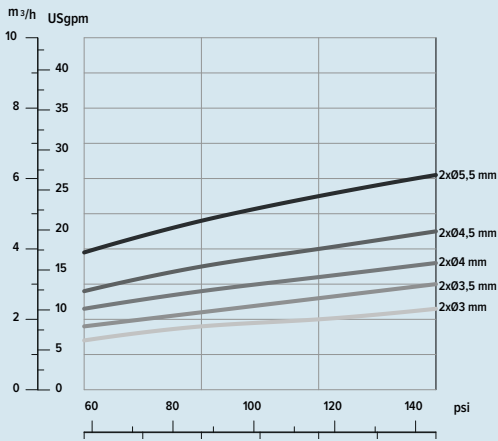


總代理

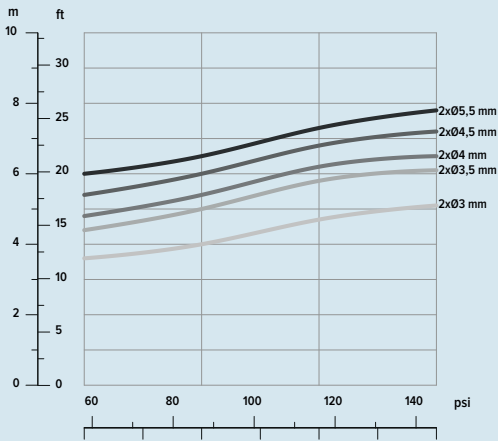
思沛雅噴霧器材有限公司

22205 新北市深坑區北深路三段270巷8號3樓 TEL. 02-8662-6968 FAX. 02-8662-6967
Website : www.sprayernozzle.com.tw E-mail : sales@sprayernozzle.com.tw

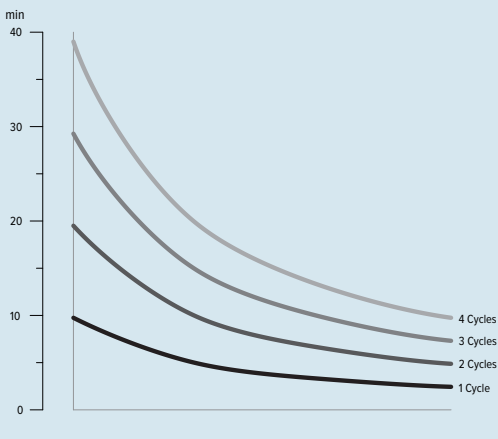
Technical performance



Pressure/Flow

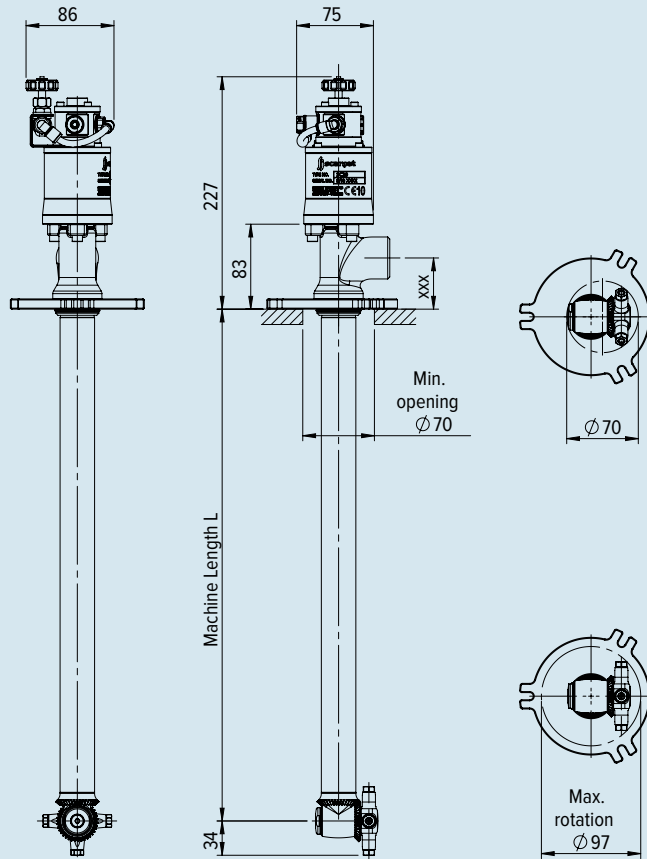


Jet length



Pattern time

Dimensions



Specifications

Flow	10-45 l/min
Inlet pressure	50-150 bar
Max pressure	12 bar
Recommended pressure	5-6 bar
Max temperature	95°C
Rotation speed	4 rpm
Full cleaning cycle	12 min
Standard length	0,5 or 1 m
Weight	6,2 kg
Inlet connection	G 3/8"
Tank connection	Bayonet coupling
Materials	AISI 316, PTFE, PEEK
Lubrication	Cleaning Media

We reserve the right to changes without prior notice. Issue 2017-03



Scanjet Systems AB
P.O. Box 9316
SE-400 97 Göteborg Sweden
Phone + 46 31 338 75 30
Fax + 46 31 338 75 40
E-mail sales@scanjetsystems.com
Web www.scanjetsystems.com



總代理

思沛雅噴霧器材有限公司

22205 新北市深坑區北深路三段270巷8號3樓 TEL. 02-8662-6968 FAX. 02-8662-6967
Website : www.sprayernozzle.com.tw E-mail : sales@sprayernozzle.com.tw